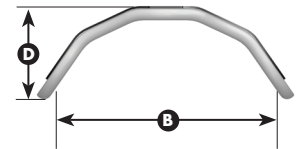
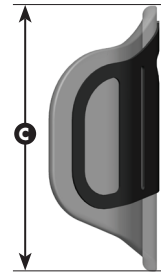
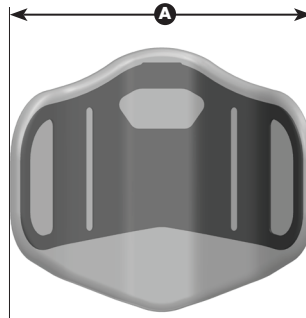


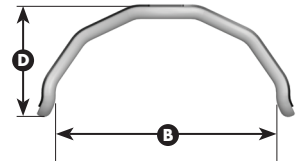


**Ride Designs®**  
 a branch of Aspen Seating, LLC  
 toll-free 866.781.1633  
 phone 303.781.1633  
 fax 303.781.1722  
 www.ridedesigns.com

# Ride® Java® Back Regular Size Matrix



**REGULAR**



**DEEP**

| Item     | Measurement Type   |
|----------|--------------------|
| <b>A</b> | Overall Back Width |
| <b>B</b> | Width Inside Foam  |
| <b>C</b> | Back Height        |
| <b>D</b> | Back Depth         |

| <b>REGULAR</b> |                        | <b>A</b>           | <b>B</b>            | <b>C</b>    | <b>D</b>   |                  |                   |
|----------------|------------------------|--------------------|---------------------|-------------|------------|------------------|-------------------|
| Back Width     | Fits Wheelchair Widths | Overall Back Width | Width (Inside Foam) | Back Height | Back Depth | Carrying Weight* | On-Chair Weight** |
| 14" Regular    | 13-16" / 33-41cm       | 14" / 36cm         | 13" / 33cm          | 14" / 36cm  | 3" / 8cm   | 2.0 lb / 1.0kg   | 3.8 lb / 1.7kg    |
| 15" Regular    | 14-17" / 36-43cm       | 15" / 38cm         | 13.5" / 34cm        | 14" / 36cm  | 3" / 8cm   | 2.4 lb / 1.1kg   | 4.2 lb / 1.9kg    |
| 16" Regular    | 15-18" / 38-46cm       | 16" / 41cm         | 14.5" / 37cm        | 14" / 36cm  | 3" / 8cm   | 2.7 lb / 1.2kg   | 4.5 lb / 2.0kg    |
| 17" Regular    | 16-19" / 41-48cm       | 17" / 43cm         | 15.5" / 39cm        | 14" / 36cm  | 3" / 8cm   | 2.9 lb / 1.3kg   | 4.7 lb / 2.1kg    |
| 18" Regular    | 17-20" / 43-51cm       | 18" / 46cm         | 16.5" / 42cm        | 14" / 36cm  | 3" / 8cm   | 3.1 lb / 1.4kg   | 4.9 lb / 2.2kg    |
| 19" Regular    | 18-21" / 46-53cm       | 19" / 48cm         | 17.5" / 44cm        | 14" / 36cm  | 3" / 8cm   | 3.3 lb / 1.5kg   | 5.1 lb / 2.3kg    |
| 20" Regular    | 19-22" / 48-56cm       | 20" / 51cm         | 18.5" / 47cm        | 14" / 36cm  | 3" / 8cm   | 3.5 lb / 1.6kg   | 5.3 lb / 2.4kg    |

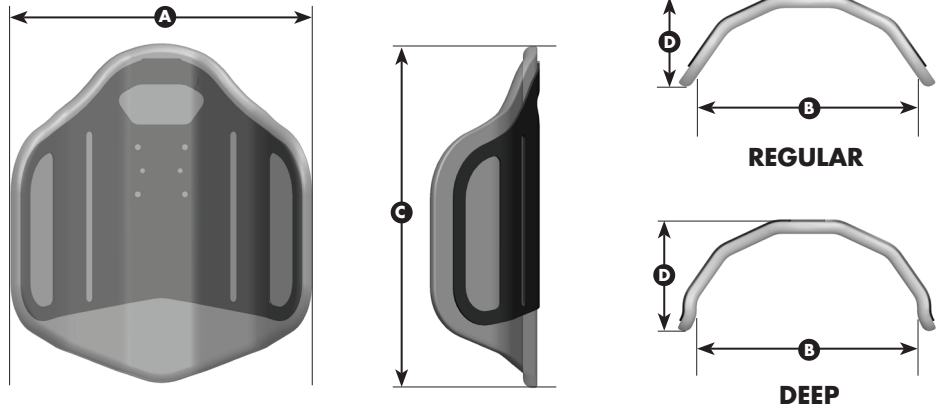
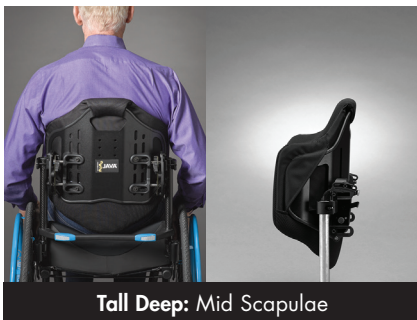
| <b>REGULAR DEEP</b> |                        | <b>A</b>           | <b>B</b>            | <b>C</b>    | <b>D</b>   |                  |                   |
|---------------------|------------------------|--------------------|---------------------|-------------|------------|------------------|-------------------|
| Back Width          | Fits Wheelchair Widths | Overall Back Width | Width (Inside Foam) | Back Height | Back Depth | Carrying Weight* | On-Chair Weight** |
| 14" Regular         | 13-16" / 33-41cm       | 14" / 36cm         | 13" / 33cm          | 14" / 36cm  | 6" / 15cm  | 2.4 lb / 1.1kg   | 4.2 lb / 1.9kg    |
| 15" Regular         | 14-17" / 36-43cm       | 15" / 38cm         | 13.5" / 34cm        | 14" / 36cm  | 6" / 15cm  | 2.7 lb / 1.2kg   | 4.5 lb / 2.0kg    |
| 16" Regular         | 15-18" / 38-46cm       | 16" / 41cm         | 14.5" / 37cm        | 14" / 36cm  | 6" / 15cm  | 3.0 lb / 1.3kg   | 4.8 lb / 2.2kg    |
| 17" Regular         | 16-19" / 41-48cm       | 17" / 43cm         | 15.5" / 39cm        | 14" / 36cm  | 6" / 15cm  | 3.2 lb / 1.4kg   | 5.0 lb / 2.2kg    |
| 18" Regular         | 17-20" / 43-51cm       | 18" / 46cm         | 16.5" / 42cm        | 14" / 36cm  | 6" / 15cm  | 3.4 lb / 1.5kg   | 5.2 lb / 2.3kg    |
| 19" Regular         | 18-21" / 46-53cm       | 19" / 48cm         | 17.5" / 44cm        | 14" / 36cm  | 6" / 15cm  | 3.6 lb / 1.6kg   | 5.4 lb / 2.4kg    |
| 20" Regular         | 19-22" / 48-56cm       | 20" / 51cm         | 18.5" / 47cm        | 14" / 36cm  | 6" / 15cm  | 3.8 lb / 1.7kg   | 5.6 lb / 2.5kg    |

Specifications are subject to change. \* Java Back, less mounting hardware, \*\* Java Back, complete with hardware.



# Ride® Java® Back Tall Size Matrix

**Ride Designs®**  
 a branch of Aspen Seating, LLC  
 toll-free 866.781.1633  
 phone 303.781.1633  
 fax 303.781.1722  
 www.ridedesigns.com



| Item     | Measurement Type   |
|----------|--------------------|
| <b>A</b> | Overall Back Width |
| <b>B</b> | Width Inside Foam  |
| <b>C</b> | Back Height        |
| <b>D</b> | Back Depth         |

| <b>TALL</b> |                        | <b>A</b>           | <b>B</b>            | <b>C</b>    | <b>D</b>   |                  |                   |
|-------------|------------------------|--------------------|---------------------|-------------|------------|------------------|-------------------|
| Back Width  | Fits Wheelchair Widths | Overall Back Width | Width (Inside Foam) | Back Height | Back Depth | Carrying Weight* | On-Chair Weight** |
| 14" Tall    | 13-16" / 33-41cm       | 14" / 36cm         | 13" / 33cm          | 18" / 46cm  | 3" / 8cm   | 2.7 lb / 1.2kg   | 4.5 lb / 2.1kg    |
| 15" Tall    | 14-17" / 36-43cm       | 15" / 38cm         | 13.5" / 34cm        | 18" / 46cm  | 3" / 8cm   | 2.9 lb / 1.3kg   | 4.7 lb / 2.2kg    |
| 16" Tall    | 15-18" / 38-46cm       | 16" / 41cm         | 14.5" / 37cm        | 18" / 46cm  | 3" / 8cm   | 3.2 lb / 1.5kg   | 5.0 lb / 2.3kg    |
| 17" Tall    | 16-19" / 41-48cm       | 17" / 43cm         | 15.5" / 39cm        | 18" / 46cm  | 3" / 8cm   | 3.4 lb / 1.6kg   | 5.2 lb / 2.4kg    |
| 18" Tall    | 17-20" / 43-51cm       | 18" / 46cm         | 16.5" / 42cm        | 18" / 46cm  | 3" / 8cm   | 3.6 lb / 1.7kg   | 5.4 lb / 2.5kg    |
| 19" Tall    | 18-21" / 46-53cm       | 19" / 48cm         | 17.5" / 44cm        | 18" / 46cm  | 3" / 8cm   | 3.8 lb / 1.7kg   | 5.6 lb / 2.6kg    |
| 20" Tall    | 19-22" / 48-56cm       | 20" / 51cm         | 18.5" / 47cm        | 18" / 46cm  | 3" / 8cm   | 4.0 lb / 1.8kg   | 5.8 lb / 2.7kg    |

| <b>TALL DEEP</b> |                        | <b>A</b>           | <b>B</b>            | <b>C</b>    | <b>D</b>   |                  |                   |
|------------------|------------------------|--------------------|---------------------|-------------|------------|------------------|-------------------|
| Back Width       | Fits Wheelchair Widths | Overall Back Width | Width (Inside Foam) | Back Height | Back Depth | Carrying Weight* | On-Chair Weight** |
| 14" Tall         | 13-16" / 33-41cm       | 14" / 36cm         | 13" / 33cm          | 18" / 46cm  | 6" / 15cm  | 3.3 lb / 1.5kg   | 5.1 lb / 2.3kg    |
| 15" Tall         | 14-17" / 36-43cm       | 15" / 38cm         | 13.5" / 34cm        | 18" / 46cm  | 6" / 15cm  | 3.3 lb / 1.5kg   | 5.1 lb / 2.3kg    |
| 16" Tall         | 15-18" / 38-46cm       | 16" / 41cm         | 14.5" / 37cm        | 18" / 46cm  | 6" / 15cm  | 3.6 lb / 1.7kg   | 5.4 lb / 2.5kg    |
| 17" Tall         | 16-19" / 41-48cm       | 17" / 43cm         | 15.5" / 39cm        | 18" / 46cm  | 6" / 15cm  | 3.8 lb / 1.7kg   | 5.6 lb / 2.6kg    |
| 18" Tall         | 17-20" / 43-51cm       | 18" / 46cm         | 16.5" / 42cm        | 18" / 46cm  | 6" / 15cm  | 4.0 lb / 1.8kg   | 5.8 lb / 2.7kg    |
| 19" Tall         | 18-21" / 46-53cm       | 19" / 48cm         | 17.5" / 44cm        | 18" / 46cm  | 6" / 15cm  | 4.2 lb / 2.0kg   | 6.0 lb / 2.7kg    |
| 20" Tall         | 19-22" / 48-56cm       | 20" / 51cm         | 18.5" / 47cm        | 18" / 46cm  | 6" / 15cm  | 4.4 lb / 2.0kg   | 6.2 lb / 2.8kg    |

Specifications are subject to change. \* Java Back, less mounting hardware, \*\* Java Back, complete with hardware.

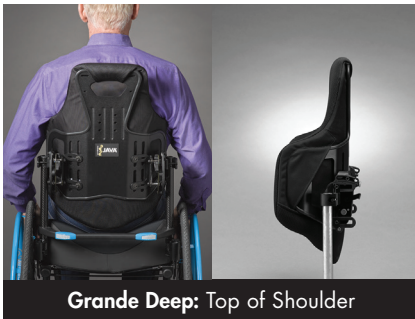


# Ride® Java® Back Grande Size Matrix

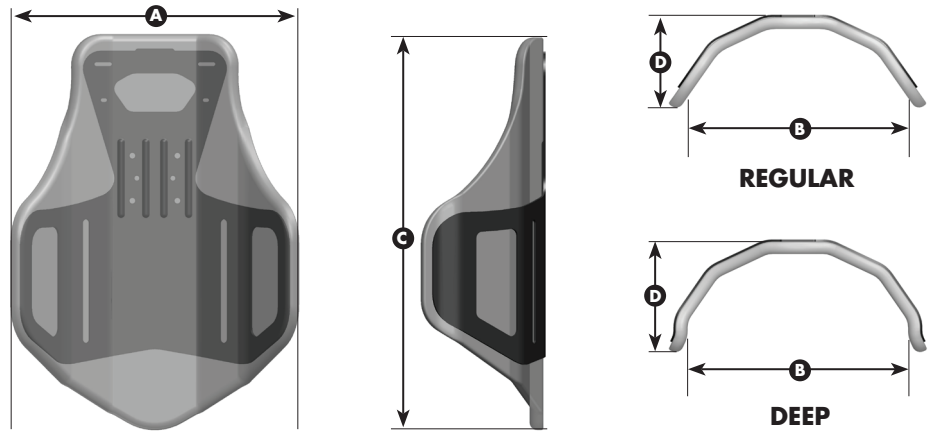
**Ride Designs®**  
 a branch of Aspen Seating, LLC  
 toll-free 866.781.1633  
 phone 303.781.1633  
 fax 303.781.1722  
 www.ridedesigns.com



Grande Regular: Top of Shoulder



Grande Deep: Top of Shoulder



| Item     | Measurement Type   |
|----------|--------------------|
| <b>A</b> | Overall Back Width |
| <b>B</b> | Width Inside Foam  |
| <b>C</b> | Back Height        |
| <b>D</b> | Back Depth         |

| GRANDE REGULAR |                        | A                  | B                   | C           | D          | Carrying Weight* | On-Chair Weight** |
|----------------|------------------------|--------------------|---------------------|-------------|------------|------------------|-------------------|
| Back Width     | Fits Wheelchair Widths | Overall Back Width | Width (Inside Foam) | Back Height | Back Depth |                  |                   |
| 14" Grande     | 13-16" / 33-41cm       | 14" / 36cm         | 13" / 33cm          | 22" / 56cm  | 3" / 8cm   | 3.0 lb / 1.4kg   | 4.8 lb / 2.2kg    |
| 15" Grande     | 14-17" / 36-43cm       | 15" / 38cm         | 13.5" / 34cm        | 22" / 56cm  | 3" / 8cm   | 4.0 lb / 1.8kg   | 5.8 lb / 2.7kg    |
| 16" Grande     | 15-18" / 38-46cm       | 16" / 41cm         | 14.5" / 37cm        | 22" / 56cm  | 3" / 8cm   | 4.4 lb / 2.0kg   | 6.2 lb / 2.8kg    |
| 17" Grande     | 16-19" / 41-48cm       | 17" / 43cm         | 15.5" / 39cm        | 22" / 56cm  | 3" / 8cm   | 4.6 lb / 2.1kg   | 6.4 lb / 2.9kg    |
| 18" Grande     | 17-20" / 43-51cm       | 18" / 46cm         | 16.5" / 42cm        | 22" / 56cm  | 3" / 8cm   | 4.8 lb / 2.2kg   | 6.6 lb / 3.0kg    |
| 19" Grande     | 18-21" / 46-53cm       | 19" / 48cm         | 17.5" / 44cm        | 22" / 56cm  | 3" / 8cm   | 5.0 lb / 2.3kg   | 6.8 lb / 3.1kg    |
| 20" Grande     | 19-22" / 48-56cm       | 20" / 51cm         | 18.5" / 47cm        | 22" / 56cm  | 3" / 8cm   | 5.2 lb / 2.4kg   | 7.0 lb / 3.2kg    |

| GRANDE DEEP |                        | A                  | B                   | C           | D          | Carrying Weight* | On-Chair Weight** |
|-------------|------------------------|--------------------|---------------------|-------------|------------|------------------|-------------------|
| Back Width  | Fits Wheelchair Widths | Overall Back Width | Width (Inside Foam) | Back Height | Back Depth |                  |                   |
| 14" Grande  | 13-16" / 33-41cm       | 14" / 36cm         | 13" / 33cm          | 22" / 56cm  | 6" / 15cm  | 3.3 lb / 1.5kg   | 5.1 lb / 2.3kg    |
| 15" Grande  | 14-17" / 36-43cm       | 15" / 38cm         | 13.5" / 34cm        | 22" / 56cm  | 6" / 15cm  | 4.4 lb / 2.0kg   | 5.2 lb / 2.4kg    |
| 16" Grande  | 15-18" / 38-46cm       | 16" / 41cm         | 14.5" / 37cm        | 22" / 56cm  | 6" / 15cm  | 4.8 lb / 2.2kg   | 6.6 lb / 3.0kg    |
| 17" Grande  | 16-19" / 41-48cm       | 17" / 43cm         | 15.5" / 39cm        | 22" / 56cm  | 6" / 15cm  | 5.0 lb / 2.3kg   | 6.8 lb / 3.1kg    |
| 18" Grande  | 17-20" / 43-51cm       | 18" / 46cm         | 16.5" / 42cm        | 22" / 56cm  | 6" / 15cm  | 5.2 lb / 2.4kg   | 7.0 lb / 3.2kg    |
| 19" Grande  | 18-21" / 46-53cm       | 19" / 48cm         | 17.5" / 44cm        | 22" / 56cm  | 6" / 15cm  | 5.4 lb / 2.5kg   | 7.2 lb / 3.3kg    |
| 20" Grande  | 19-22" / 48-56cm       | 20" / 51cm         | 18.5" / 47cm        | 22" / 56cm  | 6" / 15cm  | 5.6 lb / 2.6kg   | 7.4 lb / 3.4kg    |

Specifications are subject to change. \* Java Back, less mounting hardware, \*\* Java Back, complete with hardware.